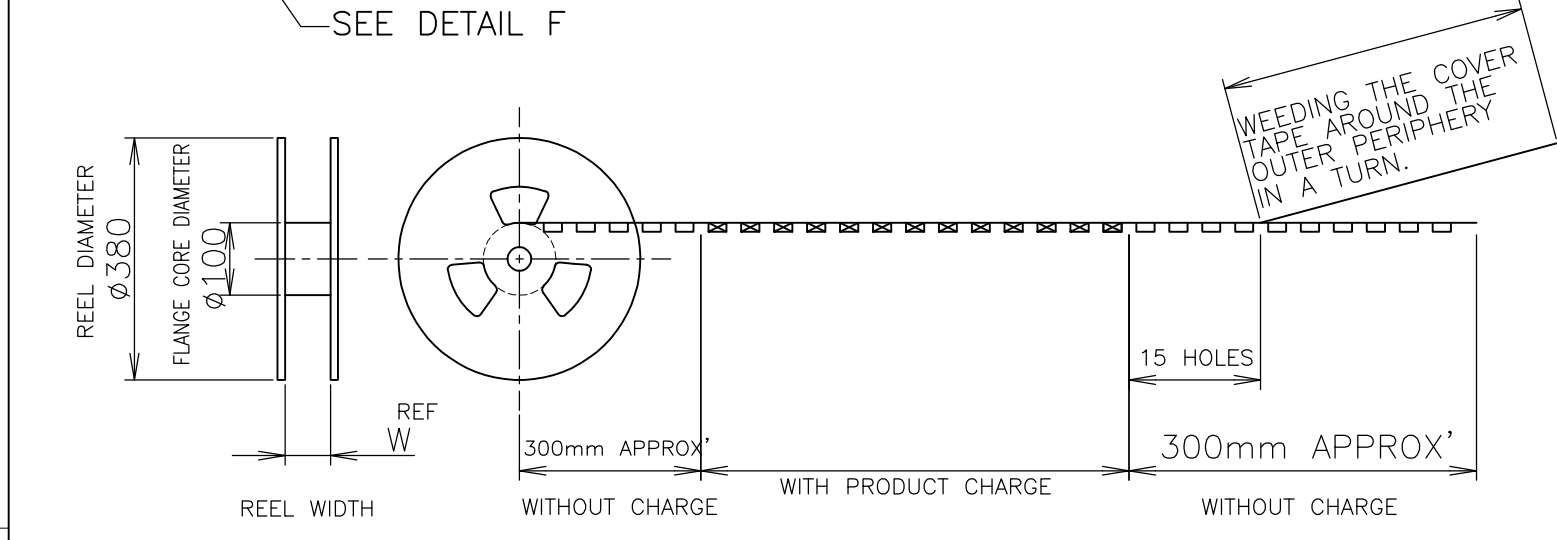
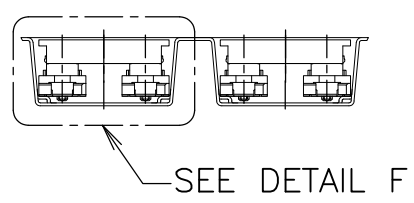
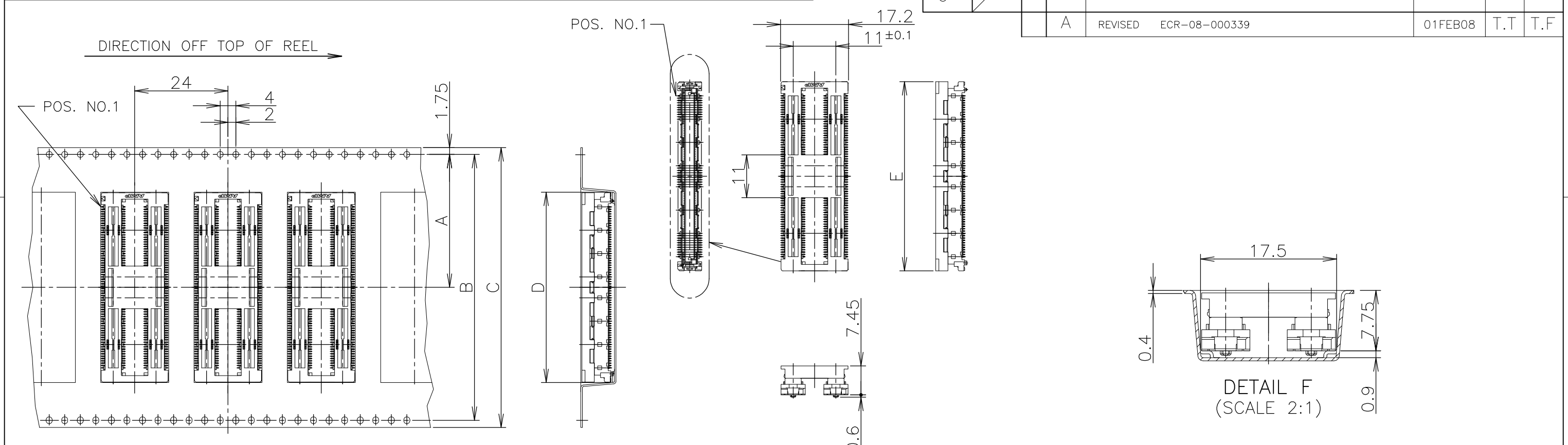


THIS DRAWING IS UNPUBLISHED. RELEASED FOR PUBLICATION JUN , 1996.  
 © COPYRIGHT 1996 BY TYCO ELECTRONICS CORPORATION. ALL RIGHTS RESERVED.

LOC	DIST	REVISIONS			DATE	DWN	APVD
		P	LTR	DESCRIPTION			
J		A	REVISED	ECR-08-000339	01FEB08	T.T	T.F



WEEDING THE COVER TAPE AROUND THE OUTER PERIPHERY IN A TURN.

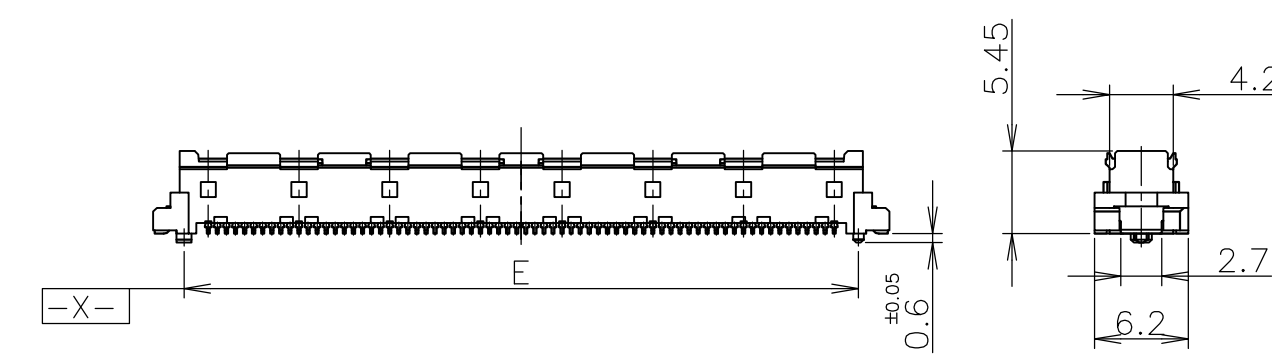
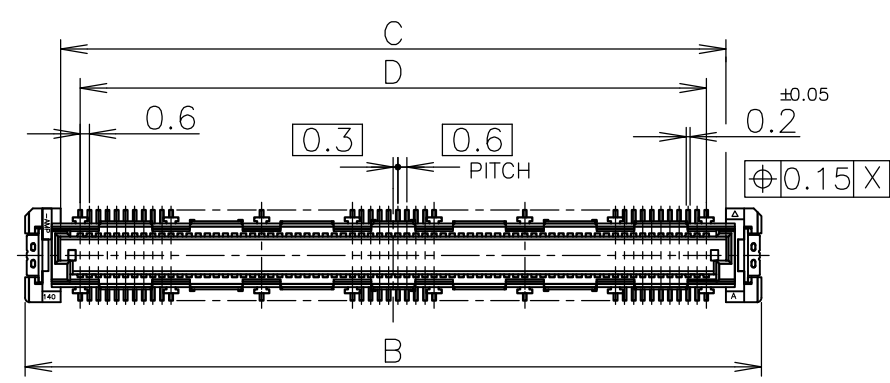
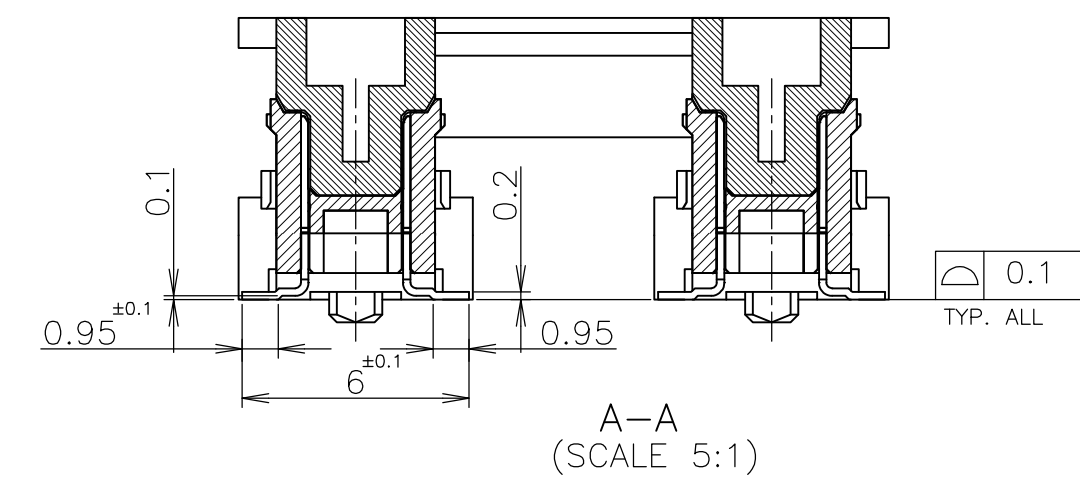
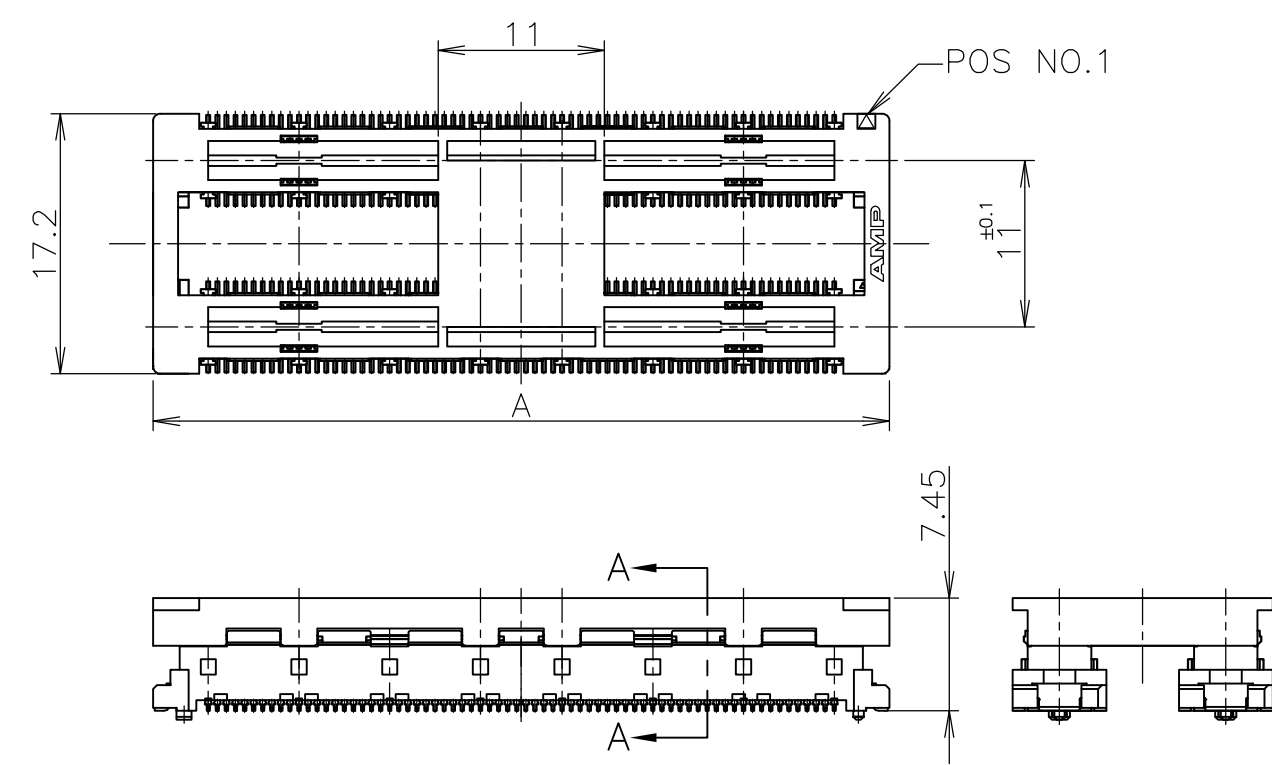
3 THIS PRODUCT WAS COATED BY FLUX-PENETRATION -INHIBITING AGENT.

SEALANT	NOT AVAILABLE	400	77.5	54.7	55	72	68.4	34.2	320	6-5353134-1
	AVAILABLE	↑	77.5	48.7	49	72	68.4	34.2	280	6-↑-0
NON SEALANT	NOT AVAILABLE	↑	61.5	42.7	43	56	52.4	26.2	240	5-↑-9
	NOT AVAILABLE	400	61.5	36.7	37	56	52.4	26.2	200	5-5353134-8
NON SEALANT	NOT AVAILABLE	400	77.5	54.7	55	72	68.4	34.2	320	1-5353134-1
	AVAILABLE	↑	77.5	48.7	49	72	68.4	34.2	280	1-↑-0
NON SEALANT	NOT AVAILABLE	↑	61.5	42.7	43	56	52.4	26.2	240	↑-9
	NOT AVAILABLE	400	61.5	36.7	37	56	52.4	26.2	200	5353134-8
SEALANT	TOOLING STATUS	QTY.	W	E	D	C	B	A	POS.	PART NO.

THIS DRAWING IS A CONTROLLED DOCUMENT.		DWN HAWKING HE 20DEC04	Tyco Electronics Corporation Kawasaki, Japan		
DIMENSIONS: 单位: 耗 mm		CHK STEVEN YAO 20DEC04	NAME 名称		
TOLERANCES UNLESS OTHERWISE SPECIFIED: 一般公差		APVD I.ENOMOTO 20DEC04	EMBOSS ASSY		
0 PLC ± 0.2		PRODUCT SPEC 製品規格	FH 0.6BTB CONNECTOR		
1 PLC ± 0.2		APPLICATION SPEC 取付適用規格	PLUG 6H 2ROW TYPE		
2 PLC ± 0.2		WEIGHT	SIZE A3	CAGE CODE 00779	DRAWING NO 番号 G-5353134
3 PLC ± 0.2		CUSTOMER DRAWING	SCALE 尺度 1:1		SHEET 1 OF 3
4 PLC ± 0.2			RESTRICTED TO		REV A
ANGLES ± 5'					
FINISH 仕上					
MATERIAL 材料					

THIS DRAWING IS UNPUBLISHED. RELEASED FOR PUBLICATION JUN , 1996.  
 © COPYRIGHT 1996 BY TYCO ELECTRONICS CORPORATION. ALL RIGHTS RESERVED.

LOC	DIST	REVISIONS			DATE	DWN	APVD
J		P	LTR	DESCRIPTION			
				SEE SHEET 1	-	-	-



- 1 MATERIAL ; HOUSING : HIGH TEMP THERMO PLASTIC UL94V-0  
CONTACT : COPPER ALLOY
- 2 FINISH ; UNDER PL Ni 0.0013mm MIN ALL OVER.  
CONTACT AREA 0.0002 MIN Au PL.  
SOLDERING AREA 0.001 MIN TIN PL.

51.8	50.6	47.4	50	54.7	54.7	320
45.8	44.6	41.4	44	48.7	48.7	280
39.8	38.6	35.4	38	42.7	42.7	240
33.8	32.6	29.4	32	36.7	36.7	200
F	E	D	C	B	A	POS

GENERAL TOLERANCE  
 一般公差  
 10 ≥ : ±0.2  
 30 ≥ : >10: ±0.25  
 100 ≥ : >30: ±0.3  
 ANGLES: ±3°

THIS DRAWING IS A CONTROLLED DOCUMENT.

DIMENSIONS: 単位: 耗 mm	TOLERANCES UNLESS OTHERWISE SPECIFIED: 一般公差	DWN	Tyco Electronics Tyco Electronics Corporation Kawasaki, Japan	
	0 PLC ± -	CHK	NAME 名称	
	1 PLC ± -	APVD	EMBOSS ASSY	
	2 PLC ± -	PRODUCT SPEC 製品規格	FH 0.6BTB CONNECTOR	
	3 PLC ± -	APPLICATION SPEC 取付適用規格	PLUG 6H 2ROW TYPE	
MATERIAL 材料	4 PLC ± -	WEIGHT	SIZE	CAGE CODE
	ANGLES ± -		A3	00779
FINISH 仕上			DRAWING NO 番号	RESTRICTED TO
			G-5353134	
		CUSTOMER DRAWING	SCALE 尺度	SHEET
			2:1	2 OF 3
				REV A

